

MONUMENT 124N

CERTIFICATE OF LOCATION OF GOVERNMENT CORNER
 Monument on the North-South Quarter Line of Section 12,
 Township 30 North, Range 22 West, County of Ramsey,
 State of Minnesota.

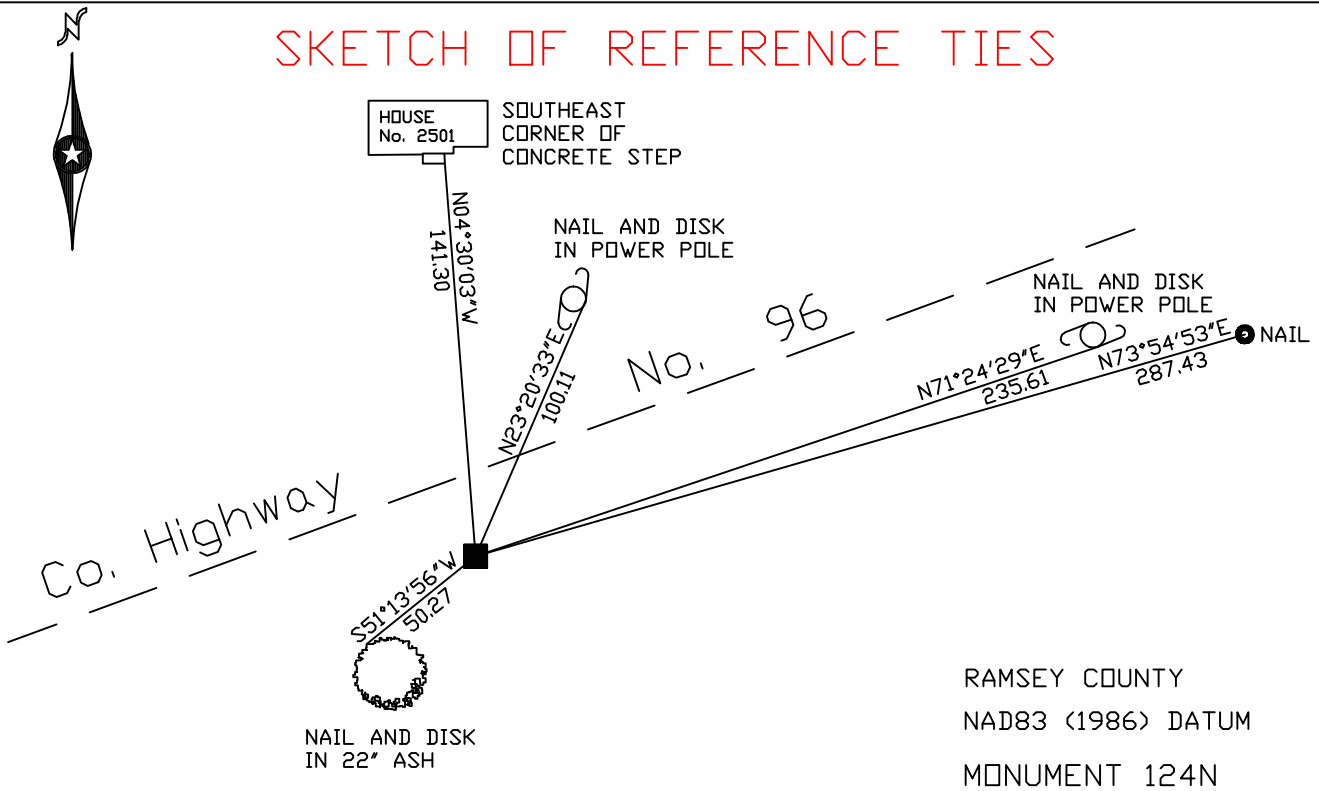
At the corner location shown on the sketch

On November 5, 2004 found a granite monument.

left monument as found, lowered monument, removed monument (explain)

On _____ placed a _____

SKETCH OF REFERENCE TIES



RAMSEY COUNTY
 NAD83 (1986) DATUM
 MONUMENT 124N
 X=600329.100 (Easting)
 Y=211699.544 (Northing)

ALL DISTANCES ARE SHOWN IN U.S. SURVEY FEET.
 BEARINGS ARE FOR TIE REFERENCE PURPOSES ONLY.

Statements of evidence relative to this corner are on the following page(s).

I hereby certify that this document and the data contained herein was prepared by me or under my direct supervision this _____ day of _____, 20____.

SIGNATURE

Minnesota License No. _____

- Land Surveyor Professional Engineer
 County Surveyor County Engineer

OFFICE OF COUNTY SURVEYOR

County of Ramsey

I hereby certify that this document was filed in the County Surveyor's office on the ____ day of _____, 20____.

David D. Claypool, P.L.S., County Surveyor

By _____, Deputy

MONUMENT 124N

Found a granite monument flush with ground, May 17, 1974.

Retied monument, June 28, 1974.

Retied monument, July 21, 1988.

Retied monument, (short ties), June 12, 1998.

Retied monument, November 5, 2004.